

2019-2021 SPRINTEK GRILL GUARD

INSTALLATION INSTRUCTIONS

PROCEDURE:

1. REMOVE CONTENTS FROM BOX. VERIFY ALL PARTS ARE PRESENT.

READ INSTRUCTIONS

CAREFULLY BEFORE STARTING INSTALLATION.



- (6) 12mm Hex Nuts, Bolts, (12) Washers
- (6) 10mm x 25mm Button Head Bolt, 10mm Flat Washers, 10mm Nylon Lock Nut
- (2) 10mm x 20mm OD x 2mm Flat Washers, 10mm Nylon Lock Nuts
- (2) Tube Spacers |with| (2) 8-1.25mm x 40mm Hex Bolts, 8mm Lock Washers , 8mm Flat Washers
- (1) Allan Wrench

A= Mounting Bracket Installation

1. Take 2 bolts from bottom of the Frame,
2. Loosen 2 bolts on outside of the Frame
3. Slide Mounting Bracket into place, Snug outside bolt
4. Reinstall bottom bolt, tighten to 70 foot pounds
5. Tighten outside bolt to 70 foot pounds.

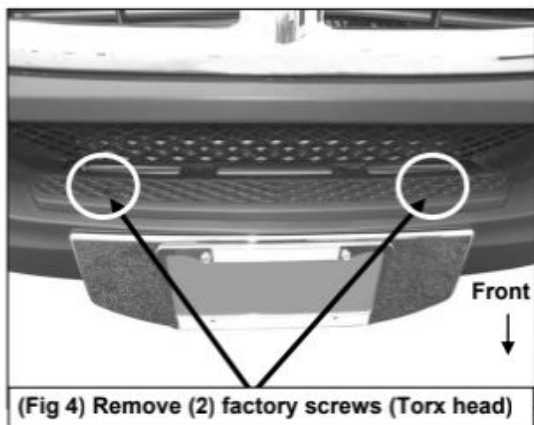
Unpack the 3 pcs of grill.

Install the center on the Sprinter first as it is easiest if you don't affix the right and left side headlight covers.

1. Snug Center Grill guard with the 6 12mm bolts (3 on each side) to the Mounting Brackets.



2. Take out Plastic covers off your Sprinter Bumper to access the holes. There may be a bolt in the hole, Remove this.



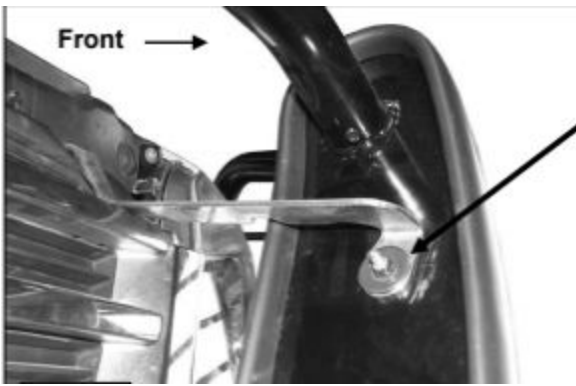
3. Put the Ring Spacers over those holes and loosely install the bottom grill brace.



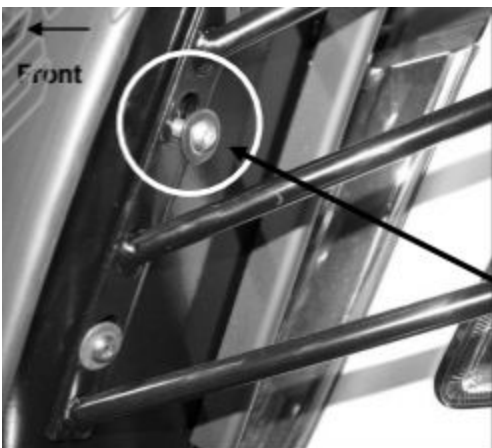
Reinstall the factory
button head screw



4. Loosely install the Top grill brace brackets.



5. Affix the right and left headlight covers onto the Center Grill



6. Fine adjust grill guard. Then Tighten all the bolts.

If you have questions or need help email support@sprinterstore.com